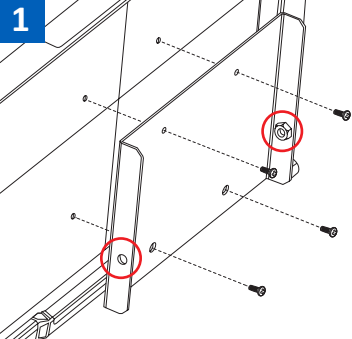
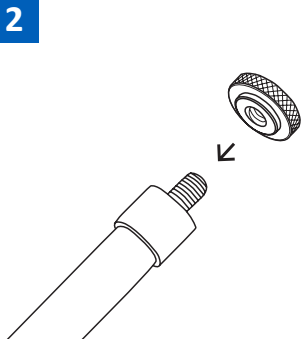
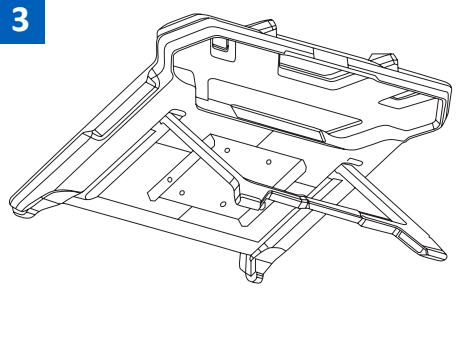
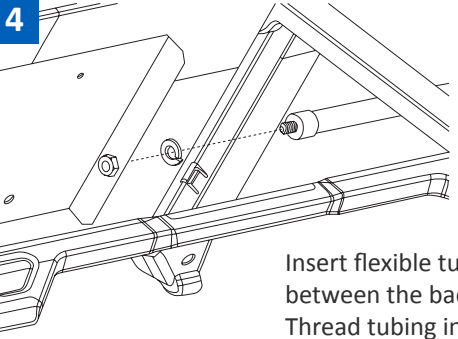
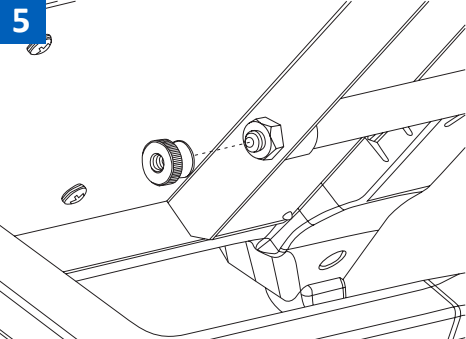
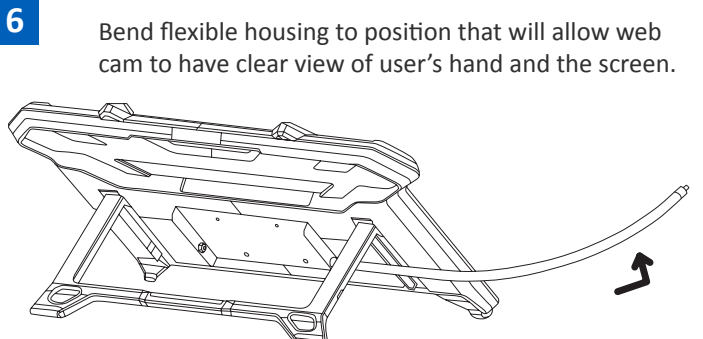
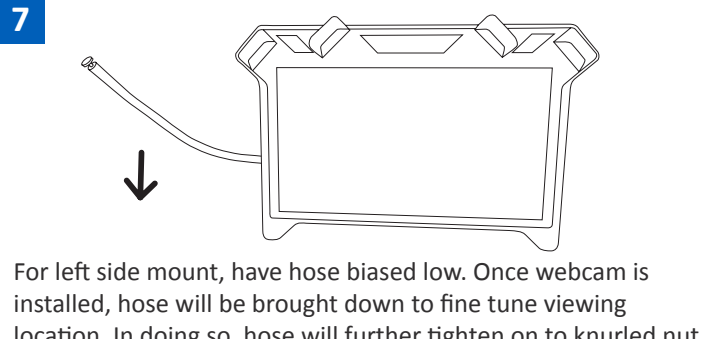
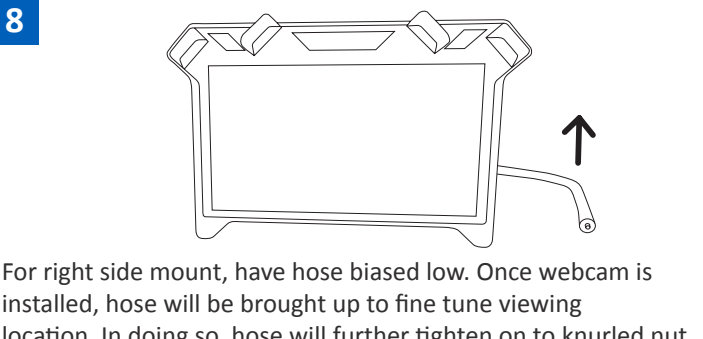
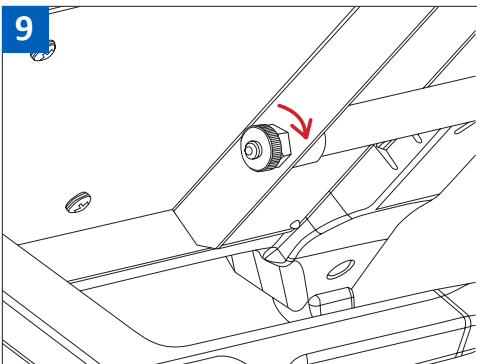


## zView Assembly Instructions for zSpace 200

<p><b>1</b></p>  <p>Align bracket over the 4 threaded holes.</p> <p>Insert and tighten the 4 M4 screws.</p> <p>When aligning, make sure threads are on lower half.</p>	<p><b>2</b></p>  <p>Thread knurled nut onto the threaded end until flush with the bottom.</p>
<p><b>3</b></p>  <p>Pull U stand out before threading in the flexible tubing. Pull out to one of the 3 locking positions. Preferably the 30 degree viewing angle</p>	<p><b>4</b></p>  <p>Insert flexible tubing and lock washer between the back panel and U stand. Thread tubing into the bracket.</p>
<p><b>5</b></p>  <p>Thread knurled nut until hand tight</p>	<p><b>6</b></p>  <p>Bend flexible housing to position that will allow web cam to have clear view of user's hand and the screen.</p>
<p><b>7</b></p>  <p>For left side mount, have hose biased low. Once webcam is installed, hose will be brought down to fine tune viewing location. In doing so, hose will further tighten on to knurled nut.</p>	<p><b>8</b></p>  <p>For right side mount, have hose biased low. Once webcam is installed, hose will be brought up to fine tune viewing location. In doing so, hose will further tighten on to knurled nut.</p>

9



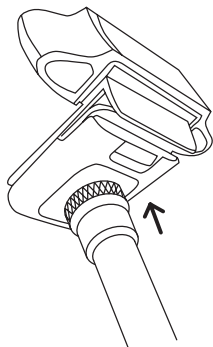
Finally, turn the knurled nut to ensure it is tight.

10



Thread webcam onto 1/4"-20 threads.

11



Rotate knurled nut until tight against webcam

12

Disclaimer: If you continue to readjust the bend and viewing position of the camera, threaded joint may loosen. Straighten the flexible tubing and retighten the hose's threads onto the bracket before rebending/positioning.

Connect the webcam's USB cable into the display monitor's port. For access to necessary zView Software, please go to [zspace.com/login](http://zspace.com/login) and register for a zSpace account. Upon completion of registration, please send your username to [orders@zspace.com](mailto:orders@zspace.com) to authorize that account for access to zView.