



P/N: 15G062184000AK V1.0

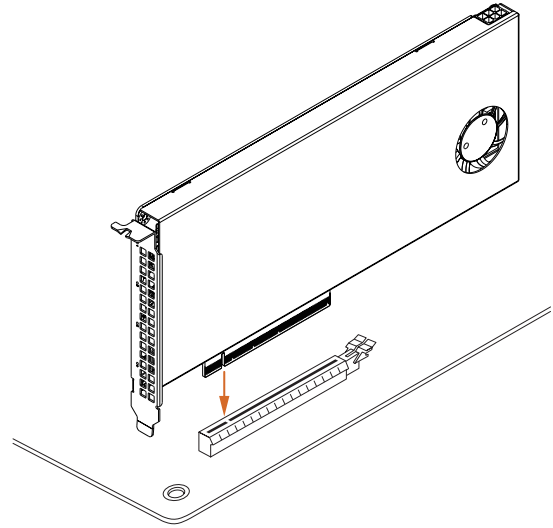
ASRock HYPER QUAD M.2 CARD

Package Contents

- ASRock HYPER QUAD M.2 CARD
- Quick Installation Guide
- Support CD
- M.2 screws

Specifications

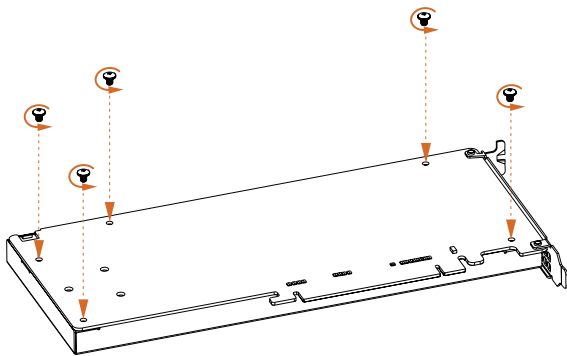
Dimensions	<ul style="list-style-type: none"> • 9.6-in x 4.4-in
Interface	<ul style="list-style-type: none"> • PCI Express 4.0 x 16 interface
Connector	<ul style="list-style-type: none"> • 4 x Hyper M.2 Sockets, support M Key type 2242/2260/2280/22110 M.2 PCI Express module up to Gen4x4 (64 Gb/s) • 1 x Graphics 12V Power Connector



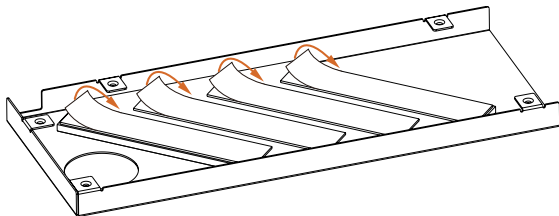
- (This step is only for motherboards with an Intel® X299 chipset.) Locate the VROC1 header on your motherboard, then install a VROC key module to enable the Intel® Virtual RAID on CPU feature. *Please refer to the user manual that comes with your motherboard for the accurate location of the Virtual RAID On CPU Header (VROC1).

Installation Procedure

1. Remove the five screws holding the bracket in place.

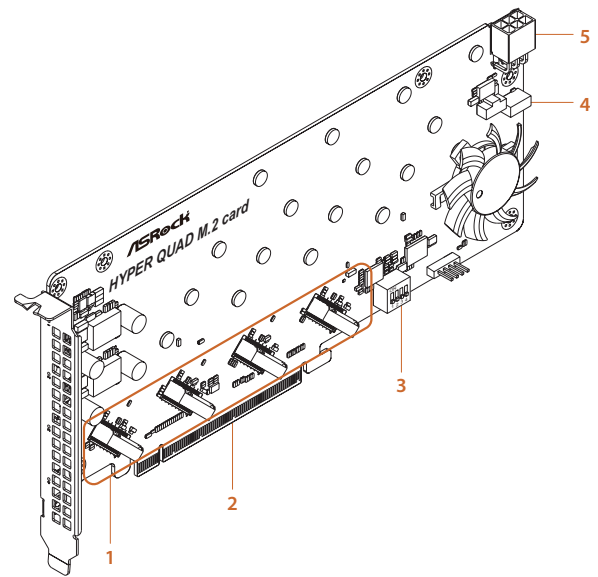


2. Peel off the protective film(s) on the bracket's thermal pad(s) before you install M.2 SSD module(s).



3. Fasten the five screws holding the bracket in place. Power off the PC and unplug the power cord. Detach all other cables from the PC.
4. Remove the PC cover.
5. Align and insert the card into a PCI Express 3.0 x16 slot on the motherboard. Press firmly until the card is securely seated in place.

Card Layout



No.	Description
1	Hyper M.2 Sockets
2	PCI Express 4.0 x 16 Interface
3	ASRock Utility Control Switch
4	Card Fan Switch
5	Graphics 12V Power Connector

ASRock Utility Control Switch

SW1	Utility control
On	Disabled
Off	Enabled

SW2	SW3	CARD number
Off	Off	CARD 1
On	Off	CARD 2
Off	On	CARD 3
On	On	CARD 4

SW4: no function

Card Fan Switch

Use this switch to control the card fan speed.

Off: Full (The fan runs at full speed)

ON: Half (The fan runs at half speed, with a half voltage supply)

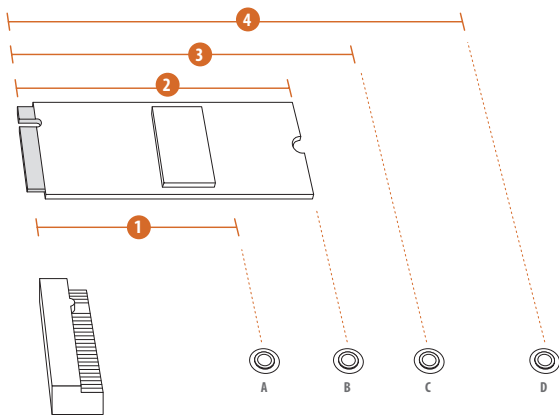
Graphics 12V Power Connector

This card provides a 6-pin graphics 12V power connector. Install the PSU's power cable to this connector when more than two M.2 cards* are installed.

*Intel Optane SSD 900P or other M.2 card with higher power consumption

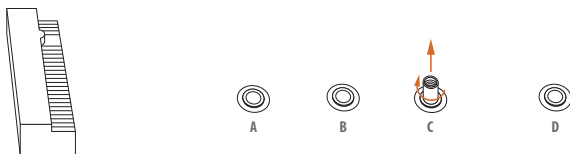
Installing M.2 SSD Module

- Depending on the PCB type and length of your M.2_SSD (NGFF) module, find the corresponding nut location to be used.

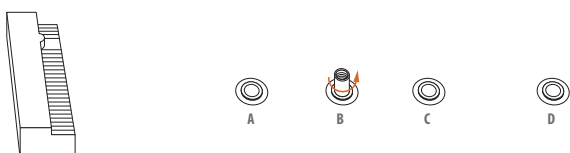


No.	1	2	3	4
Nut Location	A	B	C	D
PCB Length	4.2cm	6cm	8cm	11cm
Module Type	Type 2242	Type2260	Type 2280	Type 22110

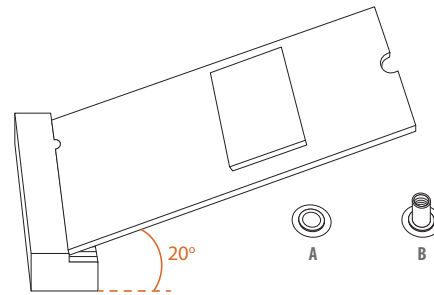
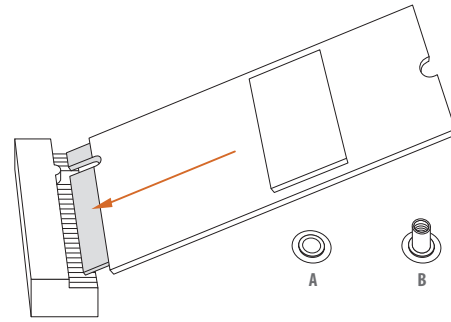
- Move the standoff based on the module type and length. The standoff is placed at the nut location C by default. Skip Step 3 and 4 and go straight to Step 5 if you are going to use the default nut. Otherwise, release the standoff by hand.



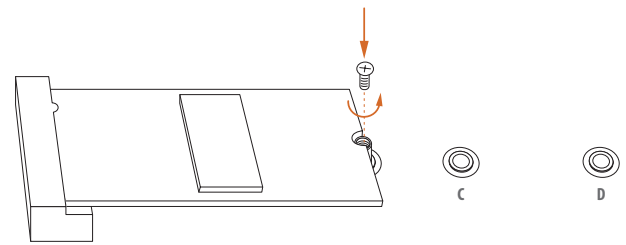
- Peel off the yellow protective film on the nut to be used. Hand tighten the standoff into the desired nut location on the motherboard.



- Gently insert the M.2 SSD module into the M.2 slot. Please be aware that the M.2 SSD module only fits in one orientation.

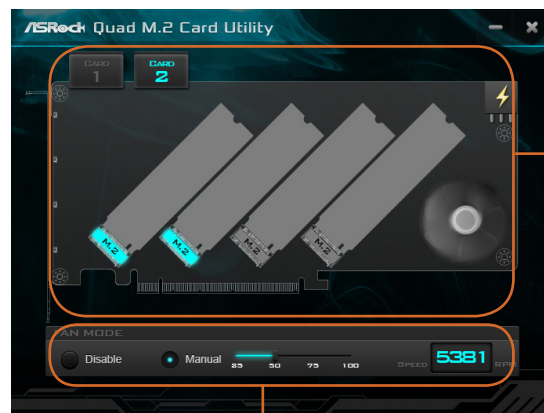


- Tighten the screw with a screwdriver to secure the module into place. Please do not overtighten the screw as this might damage the module.



HYPER QUAD M.2 CARD Utility

With the ASRock HYPER QUAD M.2 CARD Utility, you can check that if your M.2 SSD is properly installed and adjust the fan speed. Place the Support CD into your DVD-ROM drive to run this utility or download it from the ASRock website.



Select a fan speed mode

[Manual] Select a fan speed preference
[Disable] Turn off the fan

Supported ASRock Motherboard Models:

Motherboard Models	PCIe slots	PCIe Slots*	Utility Support
AMD TRX40 Chipset			
TRX40 Taichi	PCIe1, PCIe3, PCIe4 (PCIe4 is recommended)	N/A	Yes (PCIe1, PCIe3, PCIe4)
TRX40 Creator	PCIe1, PCIe3 Support 4 M.2 modules	N/A	Yes
Intel X299 Chipset			
X299 Creator	PCIe1	PCIe3	Yes (PCIe1, PCIe3)
X299 Taichi CLX	PCIe1	PCIe3	Yes (PCIe1, PCIe3)
X299 Steel Legend	PCIe1	PCIe3	Yes (PCIe1, PCIe3)
X299 OC Formula	PCIe1	PCIe5	N/A
X299 Taichi XE	PCIe1	PCIe3	Yes
X299 Taichi	PCIe1	PCIe3	N/A
FatalIty X299 Professional Gaming i9 XE	PCIe1	PCIe3	Yes
FatalIty X299 Professional Gaming i9	PCIe1	PCIe3	N/A
FatalIty X299 Gaming K6	PCIe1	PCIe3	N/A
X299 Extreme4	PCIe2	PCIe3	Yes
X299M Extreme4	PCIe1	PCIe2	Yes
X299 Killer SLI/ac	PCIe1	PCIe3	N/A
AMD X399 Chipset			
X399 Taichi	PCIe4	N/A	N/A
FatalIty X399 Professional Gaming	PCIe4	N/A	N/A
X399M Taichi	PCIe2	N/A	N/A

*The second PCIe Slot is only supported with CPU with 48 & 44 lanes.

*For the M.2 SSD support list and the updated information on the supported motherboard models, please visit www.asrock.com.

*Please note that the INTEL H10 series 512GB (HBRPEKNX0202A) (Gen3 x2) is not supported.