

EIZO DuraVision **FDH3601**

Experience design as if it were real.

With this monitor you see reality in places where most monitors are still poking around in the dark. With 10-Bit color depth, the DuraVision FDH 3601 even displays fine gradients in the darkest color ranges. You'll see dark shadows and tones such as gray, anthracite and black for the first time with the FDH 3601.

For a simple software calibration you can use up to five color profiles, three of which can be flexibly defined.

Another welcome new feature is the extraordinary edge definition and smoothness. The 4096 x 2160 pixels of resolution are more than what is offered by 4 HD monitors, all displayed in a generous 36.4-inch screen. This allows you to work in 2160p format, the best resolution levels available on the monitor market.

Aliasing is now a thing of the past. It simplifies work in wireframe mode, the assessment of shaded edges and the realistic, optical display of clearance measurements in auto body design.

The display with LED background lighting impresses with brightness levels of 700 candela per square meter. The contrast ratio is 1000:1 and the reaction rate for the gray change is only 8 milliseconds.

The large angle of view (176°) allows for stable colors in product presentations and projects worked on by teams.

In addition to the two DisplayPort inputs, the DuraVision FDH 3601 offers two DVI-D connections. On top of that is a USB 2.0 hub with two slots. Power consumption is roughly 162 watts.

Another new feature is the monitor's infrared sensor, which enables the machine to automatically switch off after a given amount of time if nobody is using it.

- 4K resolution (4096 x 2160 pixels = 4x HD)
- Over one billion colors (10-Bit via the DisplayPort)
- Up to five color profiles can be used for calibration purposes
- Large angle of view - 176°
- Brightness 700 Candela /m²
- Contrast ratio: 1000:1
- Suitably quiet for an executive's office - no fan





Content photo : Lumiscaphe

SPECIFICATIONS

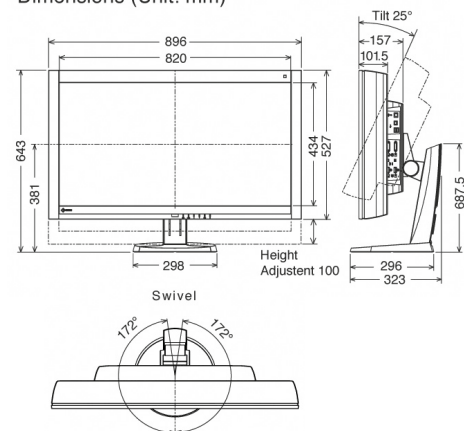
DuraVision FDH3601

Panel Size	92 cm / 36.4" (923 mm diagonal)
Active Display Size (H x V)	817.1 x 430.9 mm
Viewing Angles (H, V)	176°, 176° (at contrast ratio of 10:1)
Brightness	700 cd/m ²
Contrast Ratio (typical)	1000: 1
Response Time (typical)	Black-white-black: 25 ms (On/O); Gray-to-gray: 8 ms
Native Resolution	4.096 x 2.160
Pixel Pitch	0.1995 x 0.1995 mm
Display Colors	8-bit: 16.77 million from a palette of 278 trillion (maximum) 10-bit: 1.07 billion from a palette of 278 trillion (maximum)
Cabinet Color	Black
Dot Clock	DVI-D: 310 MHz, DisplayPort: 290 MHz
Digital Scanning Frequency (H, V)	31 - 140 kHz, 29.5 - 61 Hz, (VGA TEXT supported)
Video Input Terminals	DVI-D (dual link) x 2, DisplayPort x 2
USB Ports / Standard	1 upstream, 2 downstream / USB 2.0
Plug & Play	VESA DOC 2B
Power Requirements	AC 100 - 120 V, 200 - 240 V: 50 / 60 Hz
Power Consumption	162 W (typical), 350 W (maximum)
Power Save Mode	Less than 6 W
Height Adjustment Range	100 mm
Tilt / Swivel / Pivot	25° Up / 172° Right, 172° Left / -
Dimensions (W x H x D)	With Stand: 896 x 543 - 643 x 323 mm Without Stand: 896 x 527 x 157 mm
Net Weight (with / without Stand)	27.9 kg (AC adapter included) / 23.2 kg
Preset Modus	sRGB, Text, User1, User2, User3
EcoView Setting	EcoView Sense (presence sensor)
Screen Adjustment	Position
Color Adjustment	Brightness, Contrast, Gamma, Temperature, Saturation, Hue, Gain, Reset
Power Management	Power Save, Power Indicator
Other Settings	Input Selection, Input Preset, Mode Preset, OSD Menu Settings (Languages, Position), Signal Info, Monitor Info, All Reset; Key Lock, DC5V Output, Resolution, Reset
Certifications and Standards	CB, TÜV/GS, cTÜVus, FCC-B, Canadian ICES-003-B, TÜV/S, VCCI-B, C-Tick, RoHS, WEEE
Supplied Accessories	AC power cord, AC adapter, dual link signal cable (DVI-D ~ DVI-D) x 2, signal cable (DisplayPort ~ DisplayPort) x 2, USB cable, Utility Disk (RadiCS LE, ScreenManager Pro for Medical, user's manual), 4 screws for mount option, warranty card
Warranty	Two Years, 24-hour use

Suitable, certified graphic cards in the high and ultra-high-end range

Model	Memory	Simultaneously usable monitor outlets
 NVIDIA Quadro 6000	6 GB RAM	2
NVIDIA Quadro K5000	4 GB RAM	4
NVIDIA Quadro 5000	2,5 GB RAM	2
NVIDIA Quadro 4000	2 GB RAM	2
 AMD FirePRO W9000	6 GB RAM	6
AMD FirePRO W8000	4 GB RAM	4
AMD FirePRO W7000	4 GB RAM	4
AMD Fire Pro V9800	4 GB RAM	6
AMD Fire Pro V8800	2 GB RAM	4
AMD Fire Pro V7900	2 GB RAM	4

Dimensions (Unit: mm)



SCHNEIDER DIGITAL
Josef J. Schneider e.K.

Maxlrainer Straße 10
D-83714 Miesbach

Partner of:



Tel.: +49 (8025) 9930-0
Fax: +49 (8025) 9930-29

www.schneider-digital.com
info@schneider-digital.com