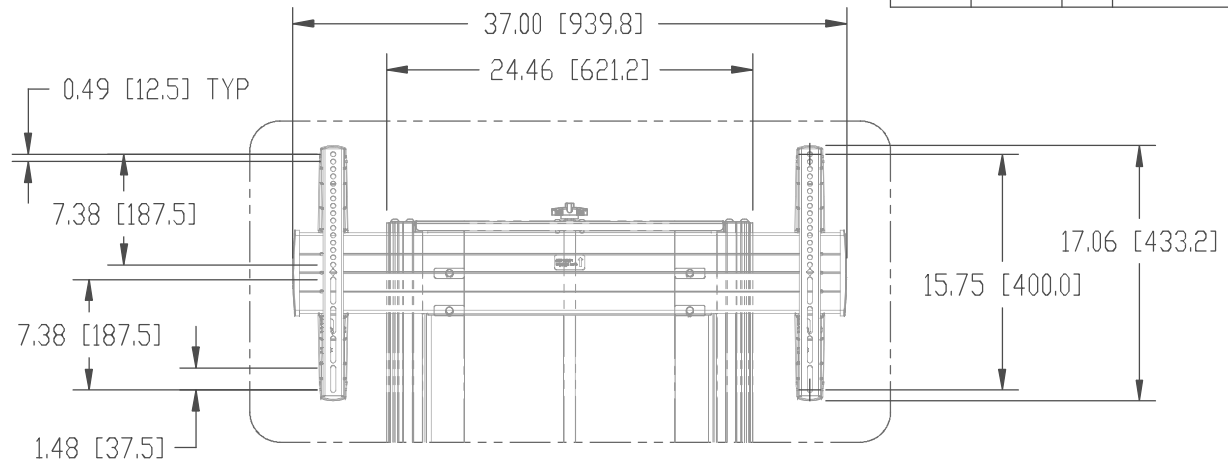
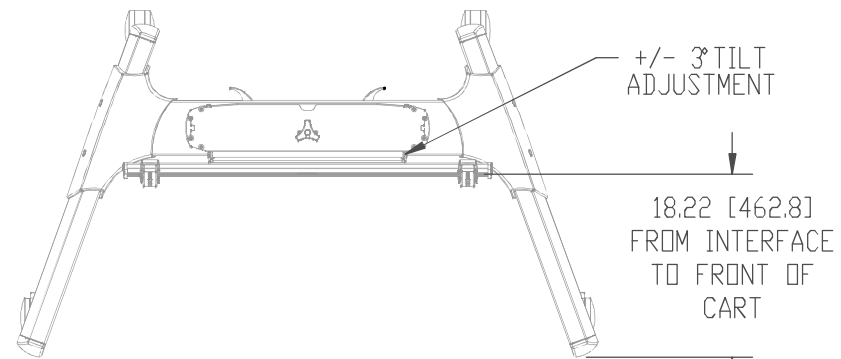
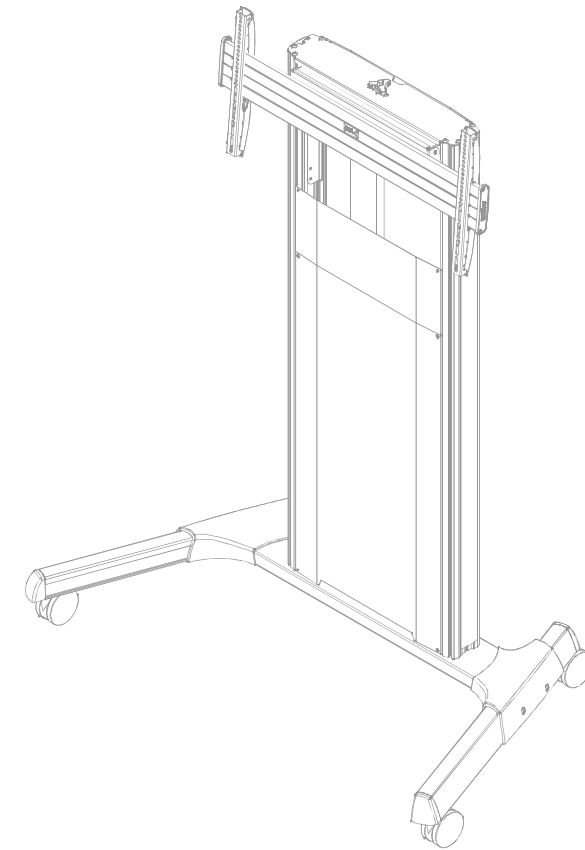
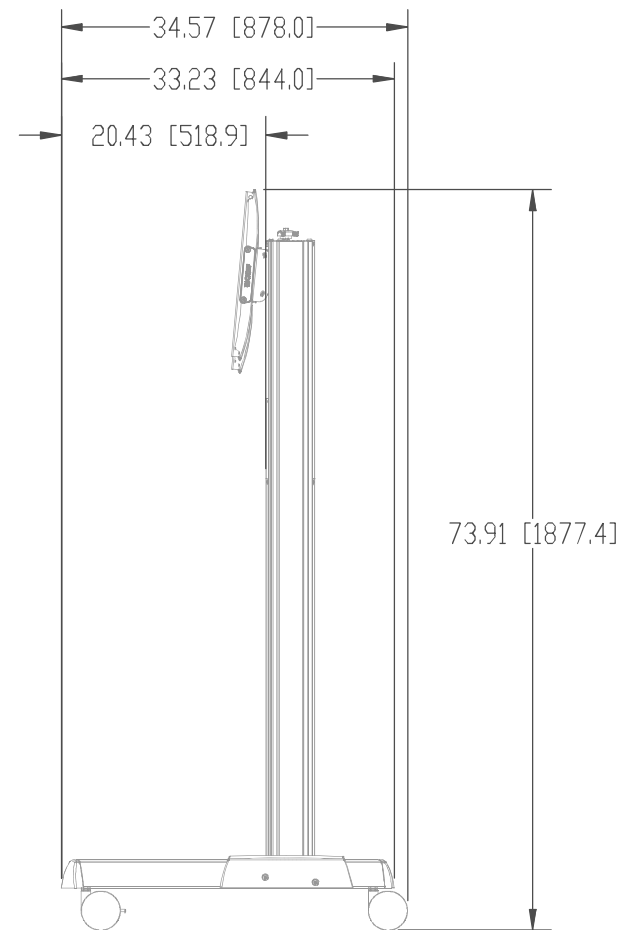
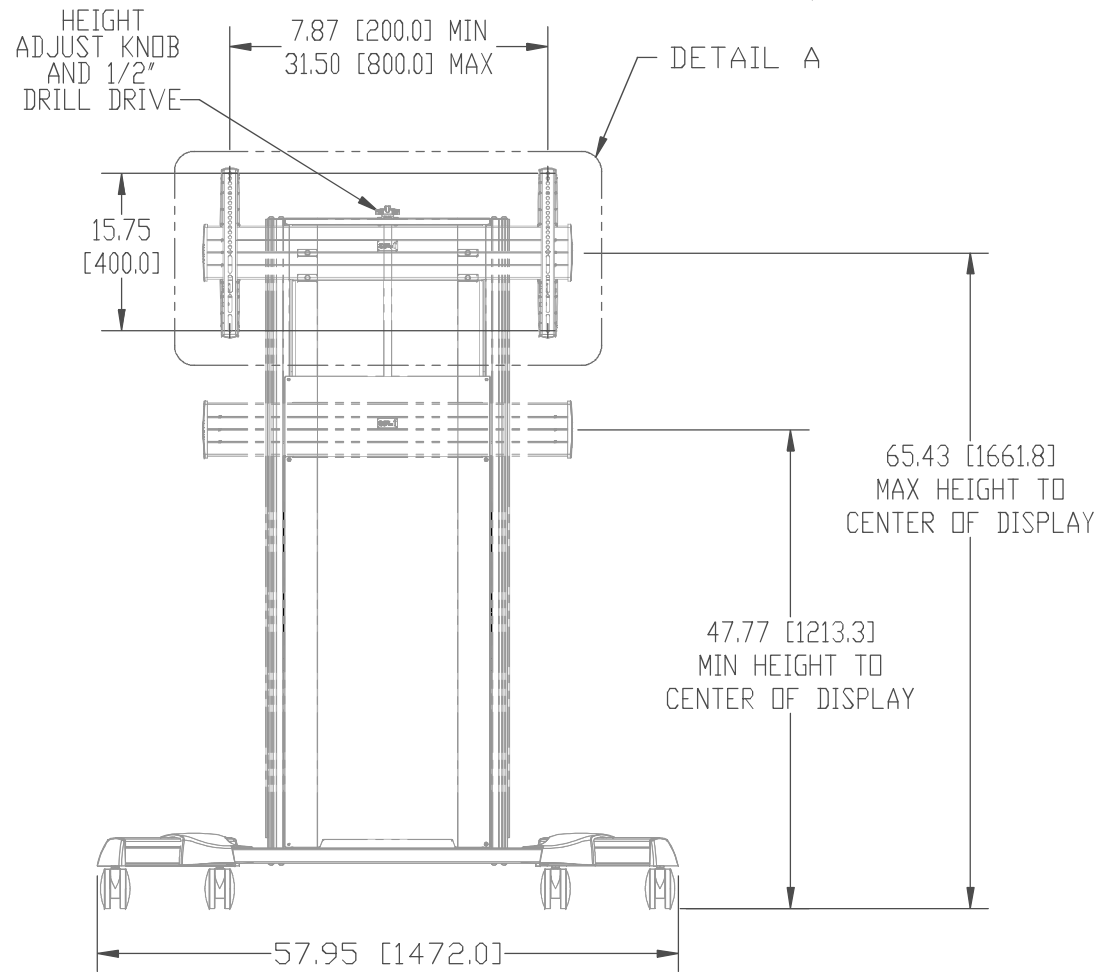


REVISIONS					
ECO	ZONE	REV	DESCRIPTION	DATE	APPROVED
1006399		A	PRODUCTION RELEASE	01/15/2015	RD



DETAIL A



THIS DRAWING CONTAINS INFORMATION PROPRIETARY TO PLANAR SYSTEMS, INC.. ANY REPRODUCTION IN PART OR WHOLE WITHOUT THE WRITTEN PERMISSION OF PLANAR SYSTEMS IS PROHIBITED. THIS DRAWING IS SUPPLIED FOR INFORMATION, IDENTIFICATION, ENGINEERING EVALUATION, AND/OR INSPECTION PURPOSES ONLY AND MAY NOT BE USED AS BASIS FOR THE MANUFACTURING OF PRODUCTS OR THE FURNISHING OF SERVICES TO PLANAR SYSTEMS OR TO ANY THIRD PARTY UNLESS AUTHORIZED IN WRITING BY PLANAR SYSTEMS.

UNLESS OTHERWISE SPECIFIED DIMENSIONS ARE IN INCHES.		ENGR BY	-	-
TOLERANCES - UNLESS OTHERWISE SPECIFIED		DRAWN BY	R.DAVENPORT	01/14/2015
.X = ±.5	.XXX = ±.125	CHECKED BY	-	-
.XX = ±.25	ANGLES = ±1°	USED ON	LFS-UPL	
DIMENSIONING AND TOLERANCING PER ASME Y14.5M-1994		MATERIAL	-	
THIRD ANGLE PROJECTION		FINISH	-	

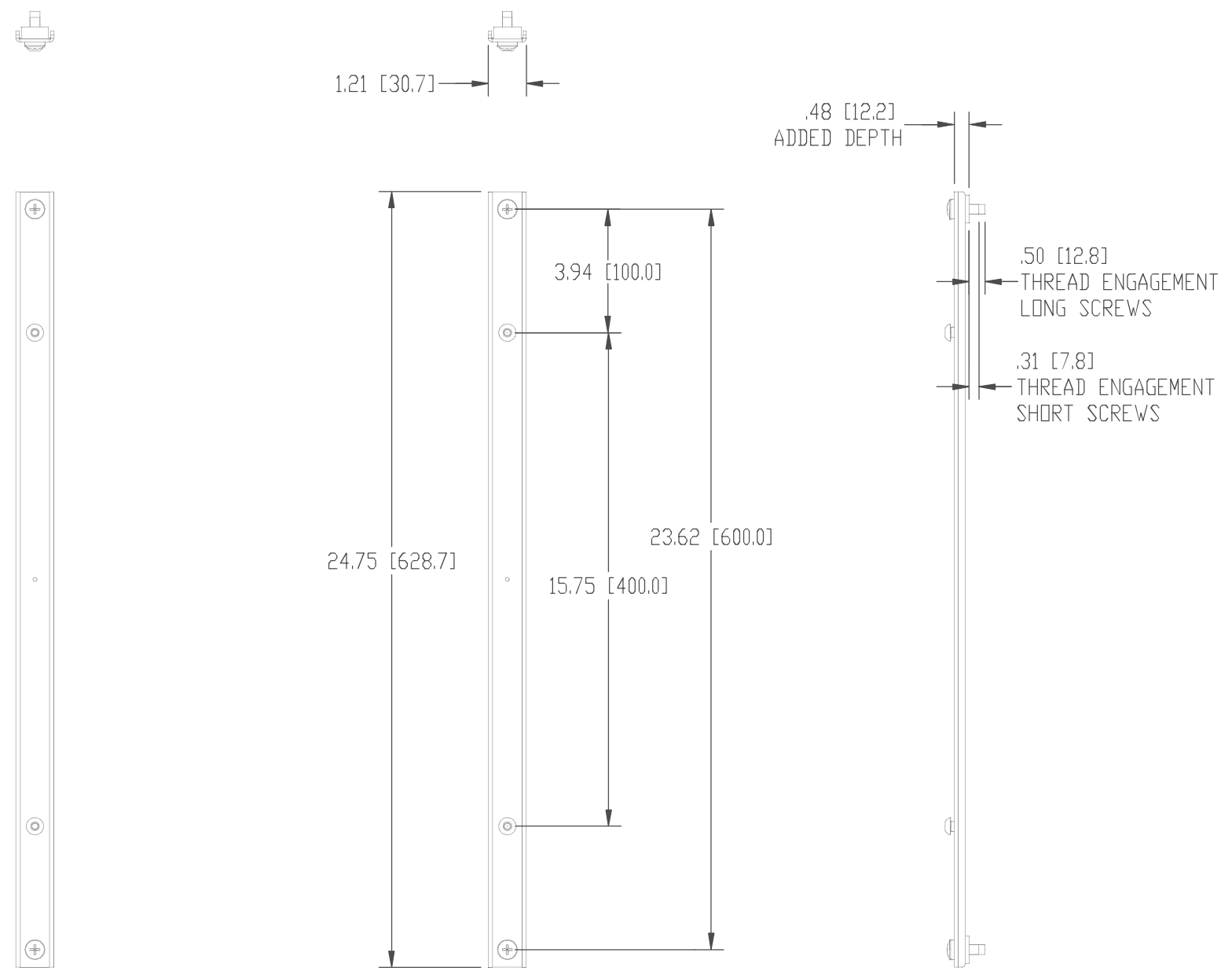


PLANAR SYSTEMS  
1195 NW COMPTON DRIVE  
BEAVERTON, OR 97006 USA

TITLE			
P, LFS-UPL			
SIZE	PART NO.	DRAWING NO.	REV
C	997-7950-00	997-7950-00	A
SCALE	NONE	DO NOT SCALE	SHEET 1 OF 2

D  
C  
A  
B  
A

D  
C  
A  
B  
A



TO BE USED WITH ULTRARES 98

THIS DRAWING CONTAINS INFORMATION PROPRIETARY TO PLANAR SYSTEMS, INC. ANY REPRODUCTION IN PART OR WHOLE WITHOUT THE WRITTEN PERMISSION OF PLANAR SYSTEMS IS PROHIBITED. THIS DRAWING IS SUPPLIED FOR INFORMATION, IDENTIFICATION, ENGINEERING EVALUATION, AND/OR INSPECTION PURPOSES ONLY AND MAY NOT BE USED AS BASIS FOR THE MANUFACTURING OF PRODUCTS OR THE FURNISHING OF SERVICES TO PLANAR SYSTEMS OR TO ANY THIRD PARTY UNLESS AUTHORIZED IN WRITING BY PLANAR SYSTEMS.

SIZE	PART NO.	DRAWING NO.	REV
C	997-7950-00	997-7950-00	A
SCALE	NONE	DO NOT SCALE	SHEET 2 OF 2