

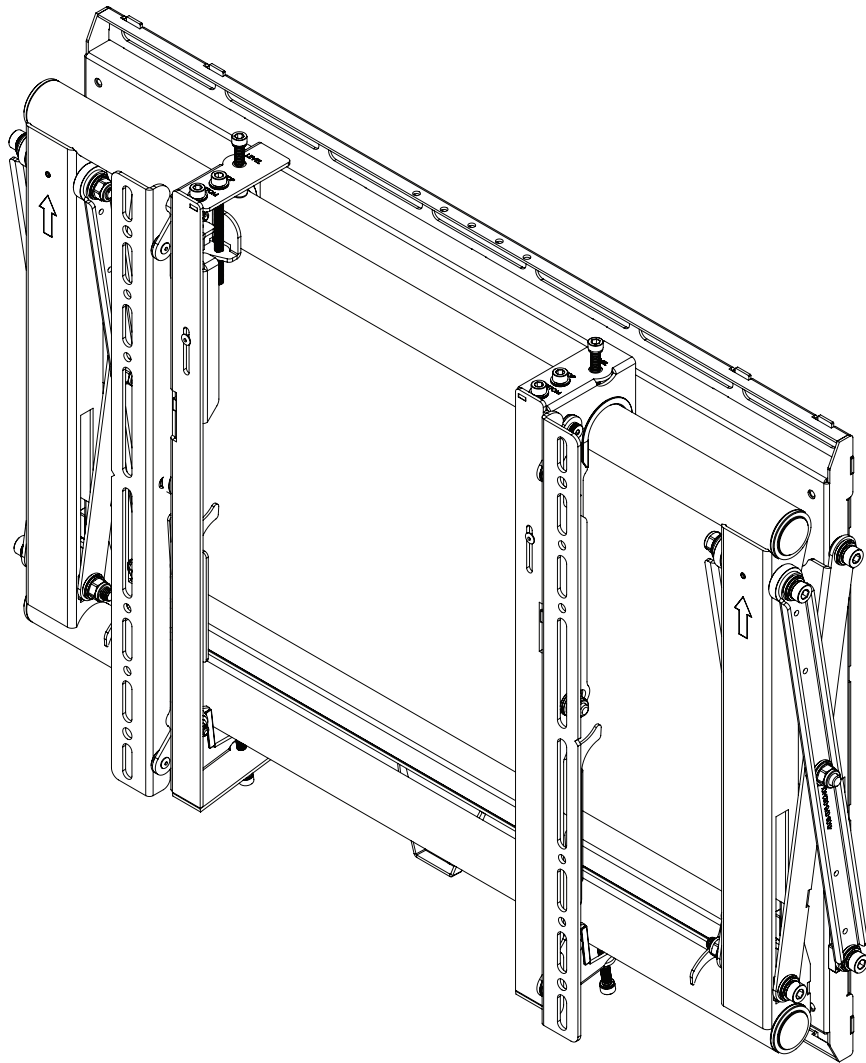
LEYARD™

PLANAR®

VMT-MXL

998-0368-00

Pop Out Video Wall Mount Installation Guide

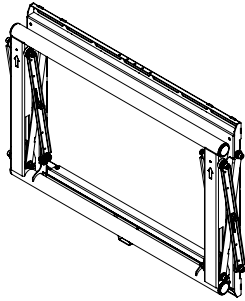


998-0368-00 - VMT-MXL

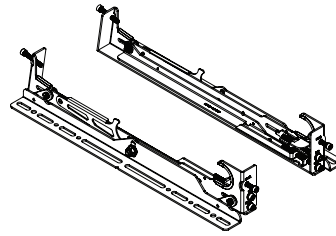
Installation Guide

Included Components

Maximum Flat Panel Weight:
160 lb. / 72.57 kg.



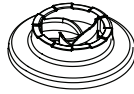
Wall Mount
(Qty 1)



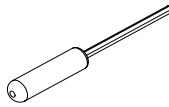
Bracket
(Qty 1 Pair)



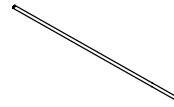
5/16" Flat Washers
(Qty 4)



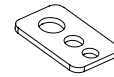
Universal Spacers
(Qty 8)



M5 Allen Driver
(Qty 1)



Thread Depth Indicator
(Qty 1)



Universal Washers
(Qty 4)



5/16" x 3" Lag Bolts
(Qty 4)



Finned Anchors
(Qty 4)



M4 x 12mm (Qty 4)



M6 x 12mm (Qty 4)



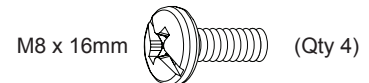
M8 x 12mm (Qty 4)



M4 x 16mm (Qty 4)



M6 x 16mm (Qty 4)



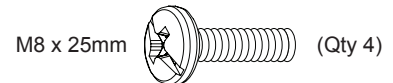
M8 x 16mm (Qty 4)



M4 x 25mm (Qty 4)



M6 x 25mm (Qty 4)

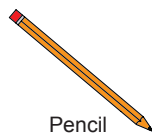


M8 x 25mm (Qty 4)

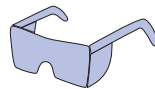
Required for installation



Electronic Stud Finder



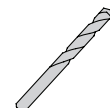
Pencil



Protective Eyewear



M6 or 1/4" Drill Bit



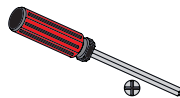
3/8" Masonry Drill Bit



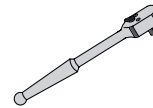
Level



13mm or 1/2" Socket



Phillips Head Screwdriver



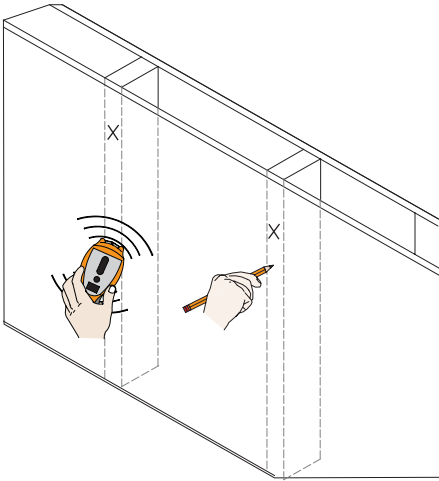
Socket Wrench



Portable Drill

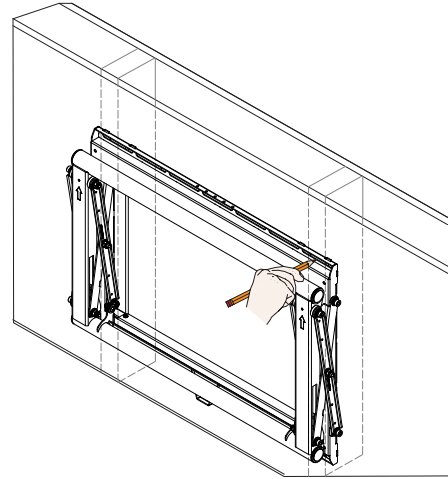
Wood Stud Installation

1



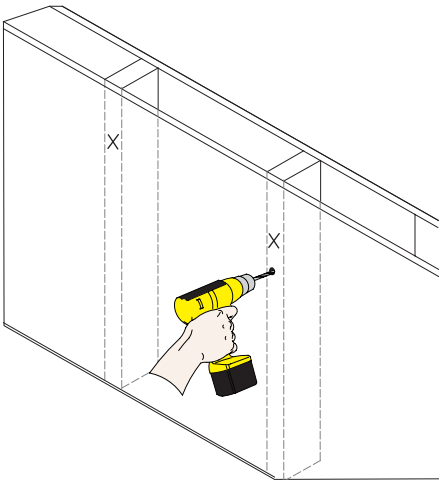
1. Use a stud finder to determine the wall studs in the vicinity of the mount.
2. Use a pencil to mark each of the wall studs.

2



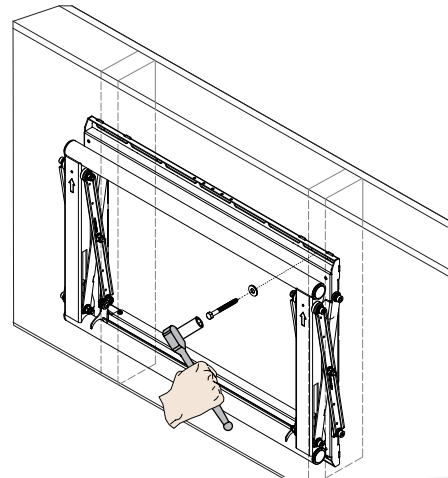
Use a pencil to mark the upper right mounting location of the wall stud.

3



Drill a pilot hole using a M6 or 1/4" drill bit on the stud that was marked on the upper right.

4

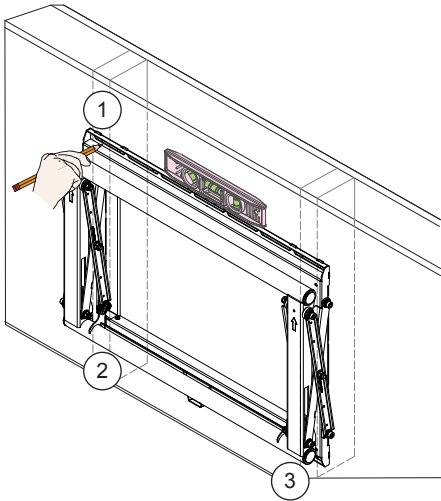


1. Place the mount against the wall and align it with the pilot hole.
2. Insert one (1) 5/16" x 3" lag bolt one (1) 5/16" washer into the upper right pilot hole.
3. Use a socket wrench and a 1/2" socket to tighten the lag bolt.
4. Do not over tighten the lag bolt.

998-0368-00 - VMT-MXL

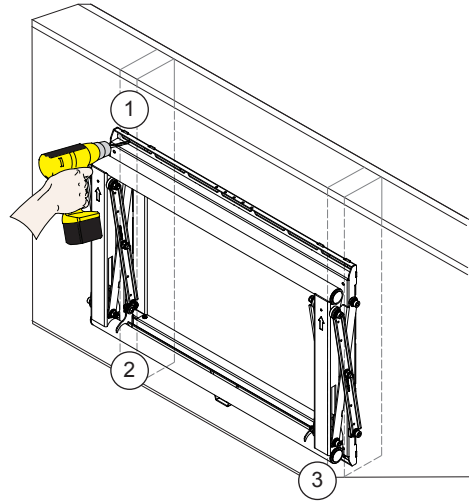
Installation Guide

5



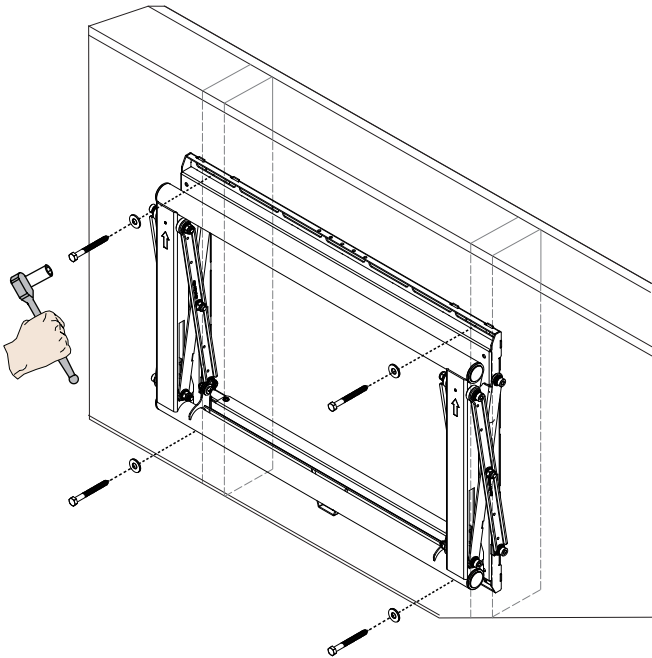
1. Level the mount
2. Use a pencil to mark the remaining three (3) mounting locations

6



Drill a pilot hole in each of the three (3) marks with a power drill and a M6 or 1/4" drill bit.

7

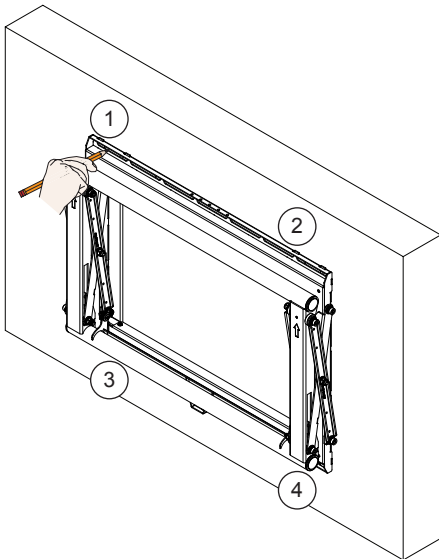


1. Insert one (1) 5/16" x 3" lag bolt and one (1) 5/16" washer into each pilot hole.
2. Tighten all lag bolts using a socket wrench and 1/2" socket.
3. Do not over tighten the lag bolts

LEYARD™ PLANAR®

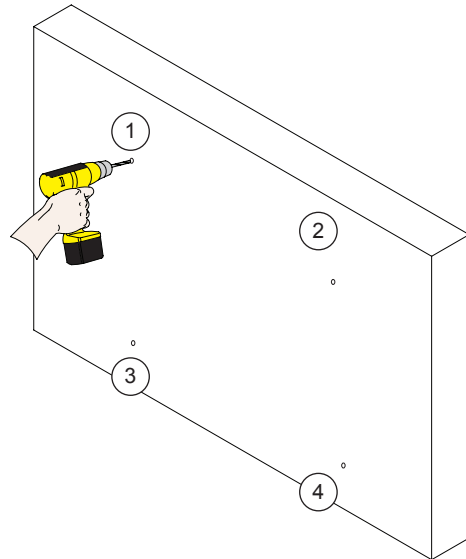
Concrete Wall Installation

8



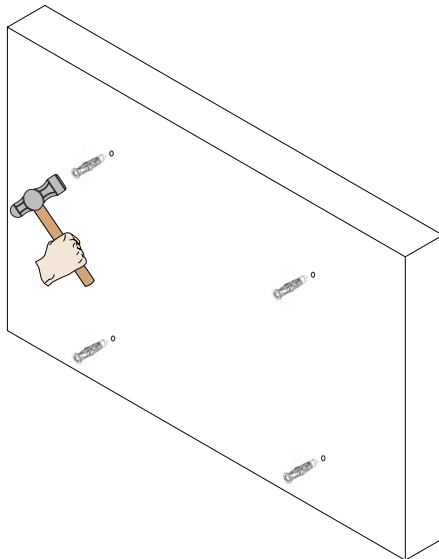
Two people recommended for this step; one person to level the mount and another person to mark the mounting locations.

9



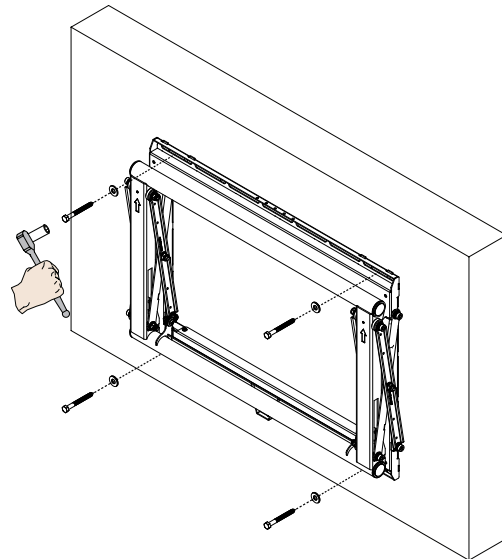
Drill a pilot hole in each of the four (4) mark areas with a 3/8" masonry drill bit.

10



Insert the Finned anchors into each pilot holes. Lightly tap each Finned anchors into place with a hammer.

11



1. Insert one (1) 5/16" x 3" Lag Bolt and one (1) 5/16" washer into each pilot holes.
2. Tighten all lag bolts using a socket wrench and 1/2" socket.

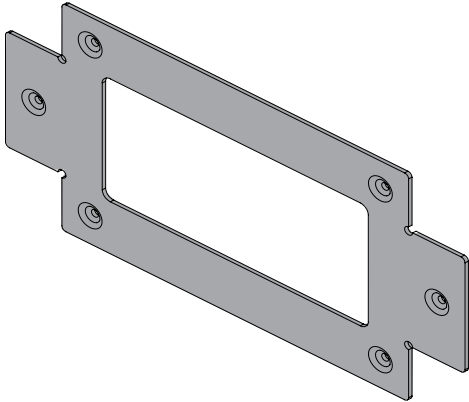
LEYARD™ PLANAR®

998-0368-00 - VMT-MXL

Installation Guide

Installing OPTIONAL Model Specific Spacers

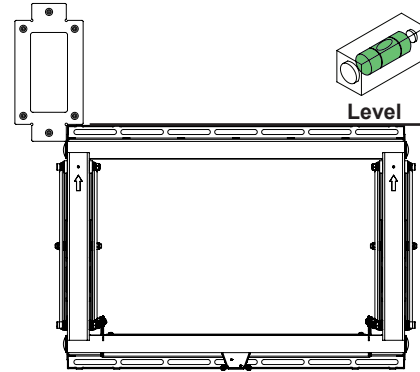
12




For ease of installation

Model-specific spacers are available for most flat-panel displays. Engineered with the intent of significantly reducing installation time on large video wall arrays. Contact Customer Service to inquire about model specific spacers.

13

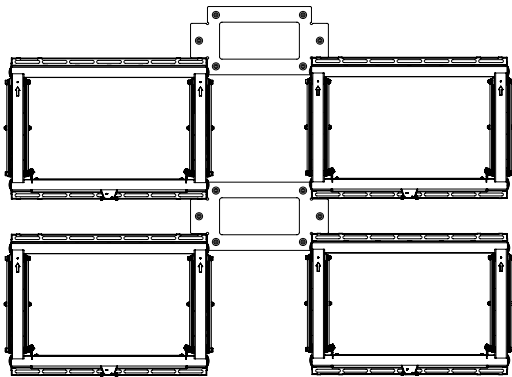


- 1) Mount the VMT-MXL to the desired location.
- 2) Align and Level the spacer to the corner register tabs of the mount.

 Use commercially available hardware to secure the spacer. Utilize the same spacer for multiple VMT-MXL installations.

For illustration only. VMT-MXL Spacer will vary.

14

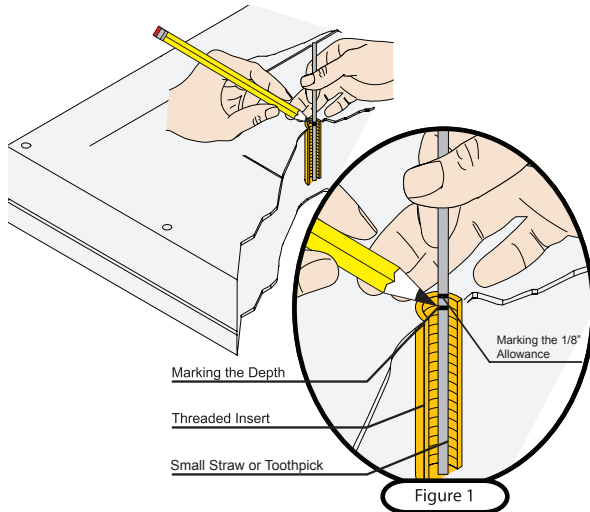


Multiple VMT-MXL mounts can be installed using model specific spacers. Simply repeat step one when installing each of the surrounding VMT-MXL mounts. Use one spacer for each 2x2 installation by mounting it to the wall, or utilize the same spacer as many times needed to complete an unlimited VMT-MXL large matrix video wall.

1. Plumb and level and mark each corner where the VMT-MXL will be mounted (or secure to the wall).
2. Install the second mount working in a horizontal direction.
3. Square, Level, and Plumb.
4. Repeat this step for each mount horizontally

Selecting the Mounting Hardware

15



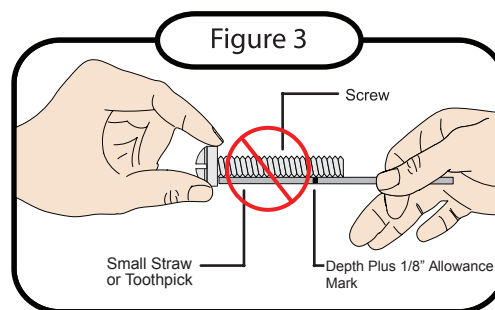
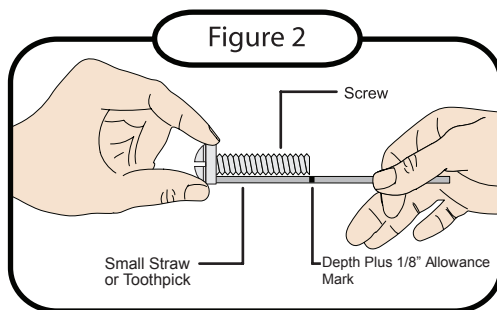
- 1) Insert a small straw or toothpick into the threaded inserts found on the back of the flat-panel.
- 2) Use a pencil to mark the depth of the threaded insert on the small straw or toothpick.
- 3) Mark the straw or toothpick 1/8" above the depth of the threaded insert, as shown in Figure 1.
- 4) Insert the small straw or toothpick into the remaining threaded inserts to compare and verify their depth using the straw or toothpick's 1/8" allowance mark.
- 5) Locate the correct diameter screw for the threaded insert.



If the selected screw is longer than the 1/8" allowance mark on the small straw or toothpick, as shown in Figure 2 and Figure 3, do not use this screw. The screw length must not bypass the mark.

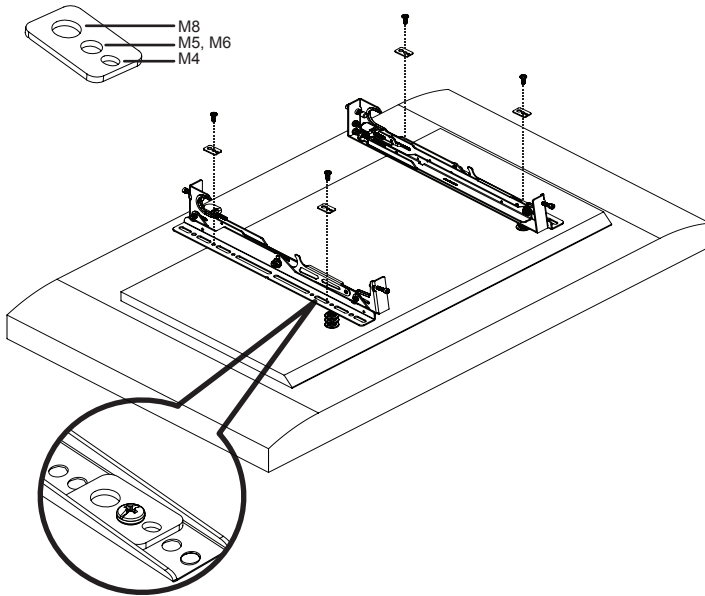
- 6) Test each size of the screws provided.

The correct screws should thread easily into the mounting point and not pull out when tension is applied.



16

Universal Washer Installation



Universal Washers are designed to accommodate the various M4, M5, M6 and M8 hole sizes required by flat-panels.

- 1) Place the flat-panel screen-side down on a soft, flat surface.
- 2) Identify the number and location of the thread inserts on the back of the flat-panel.
- 3) Aligning the holes on each mounting bracket with the thread inserts on the back of your flat-panel.
- 4) Secure each mounting bracket to the flat-panel by inserting a minimum of two (2) screws per bracket.

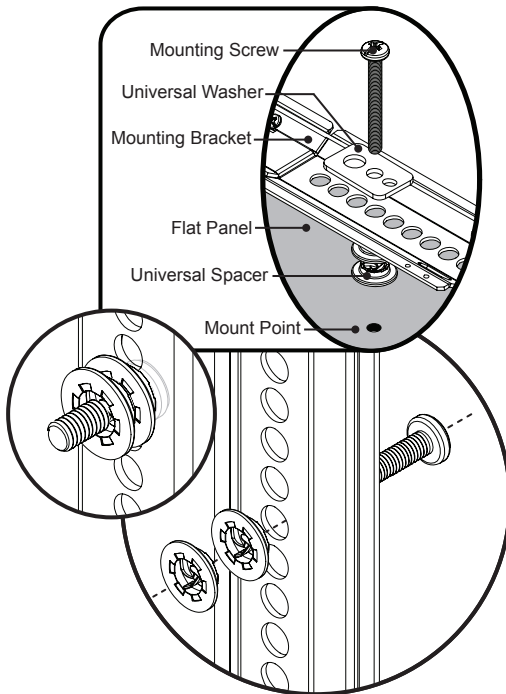


Do not over tighten the mounting hardware.

Make sure the directional arrows on the mounting brackets are facing up.

17

Universal Spacer Installation



Universal Spacers allow the user to attach the mounting bracket to flat-panels which have recessed or uneven mount points. Each Universal Spacer adds 1/4" to the distance between the mounting bracket and the flat-panel.



The Universal Spacers must be stacked and oriented as shown.



The Universal Spacers must only be installed between the mounting bracket and the flat-panel.

18

Attaching the Flat-Panel to the Mount

Mounting bracket adjustments are factory pre-set (see **Note**).

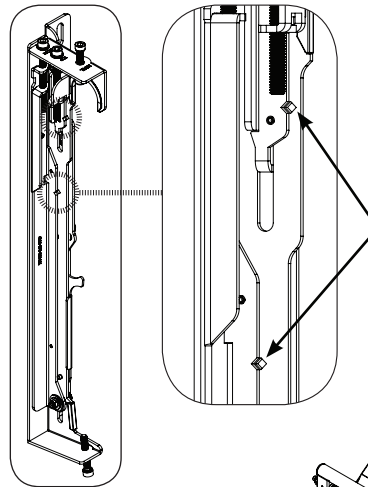
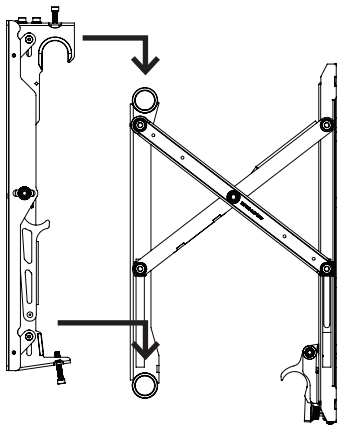


This section requires two people.

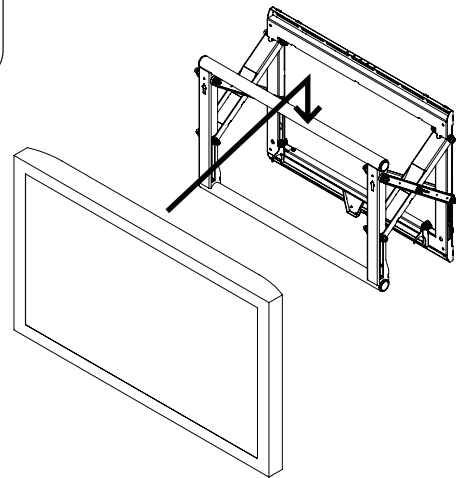


Do not release your flat-panel until you are certain that top and bottom hooks of both mounting brackets are securely seated on the upper and lower mounting rails of the wall panel.

- 1) Raise the flat-panel past the top and bottom mounting rails on the wall panel.
- 2) Slide the flat-panel down slowly, keeping it close to the wall.
- 3) Engage the top and bottom mounting brackets to the rails of the mount.

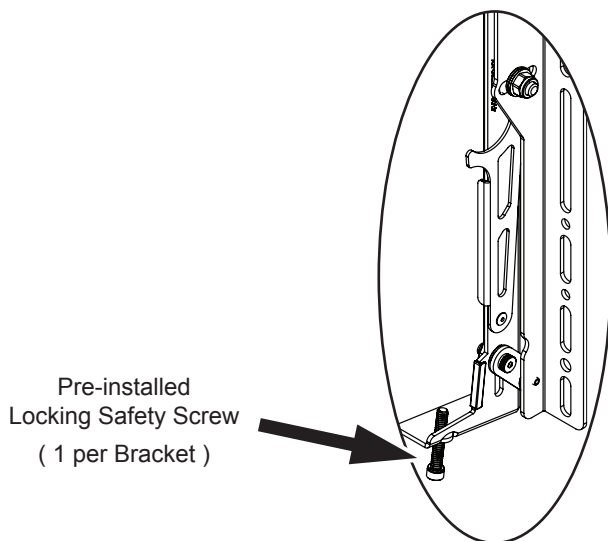


Note: These registers must align prior to installation. They are factory set. Check to determine proper alignment



19

Locking Safety Screw Installation



The locking safety screws keep the flat-panel from being accidentally dislodged from the VMT-MXL.

- 1) Locate the pre-installed security locking safety screw at the bottom of each of the mounting brackets.
- 2) Use the M5 Allen driver (supplied) to tighten the locking safety screw.



Do not over-tighten the locking safety screws.

Note: Tighten screw to surface, then tighten 1/4" turn

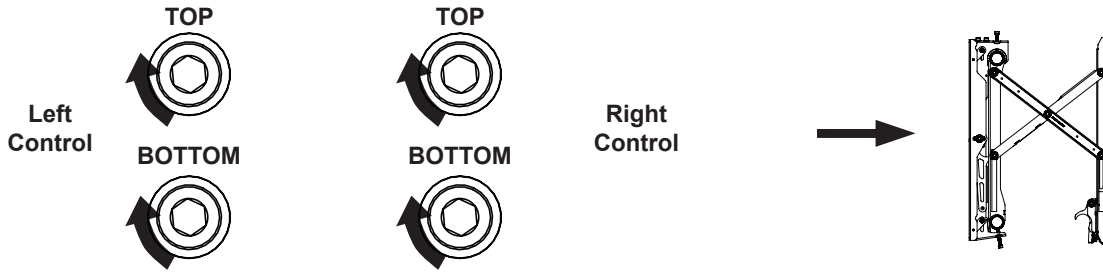


ONLY TIGHTEN AFTER FINAL ADJUSTMENT

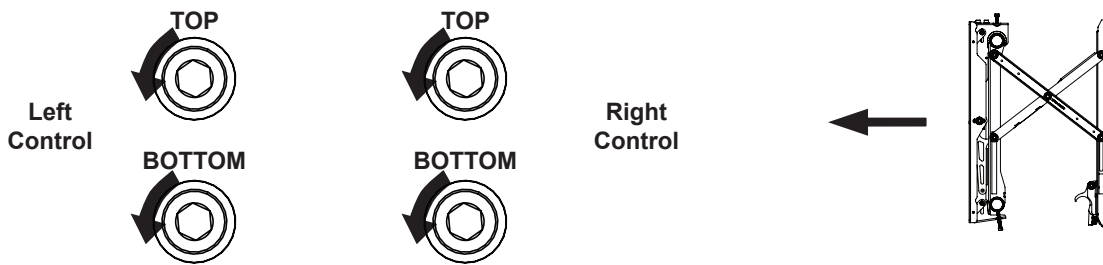
998-0368-00 - VMT-MXL

Installation Guide

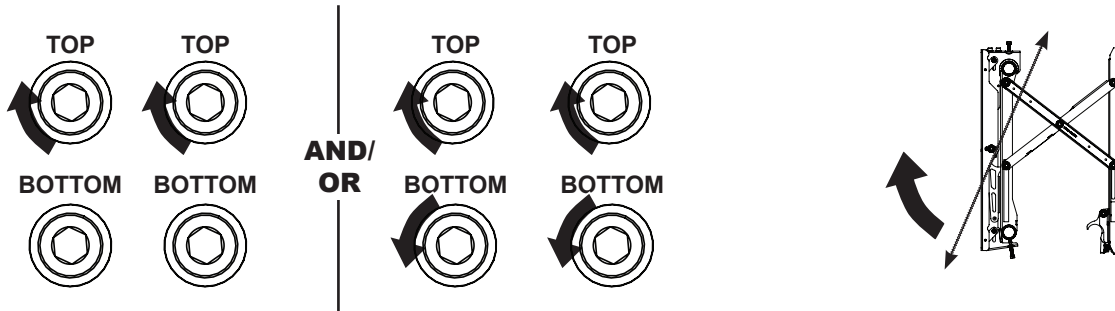
MOVE INWARD



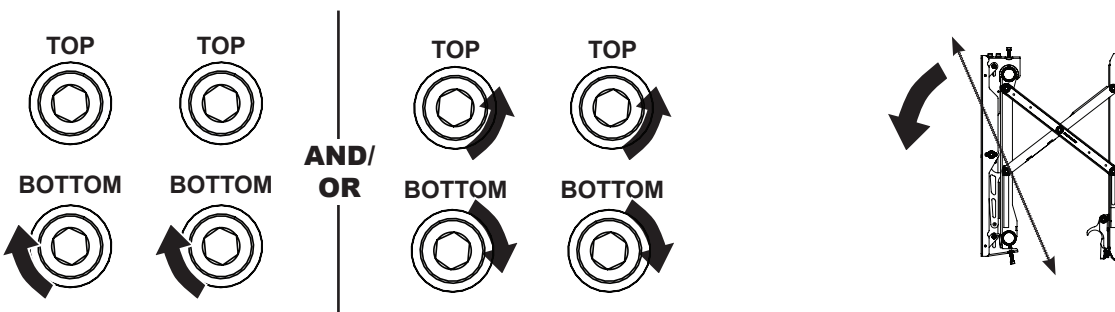
MOVE OUTWARD



TILT UP



TILT DOWN



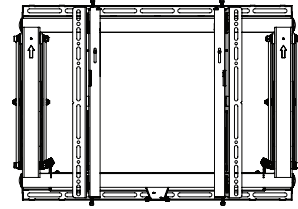
LEYARD™ **PLANAR**

LEVEL UP

Left
Control



Right
Control

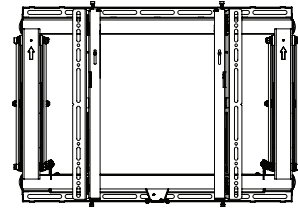


LEVEL DOWN

Left
Control



Right
Control

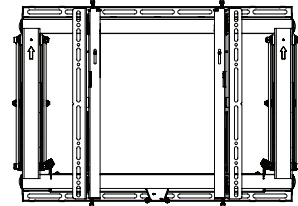


ROTATE LEFT

Left
Control



Right
Control

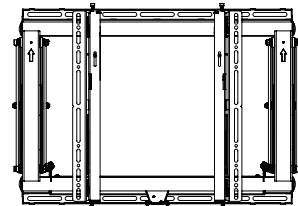


ROTATE RIGHT

Left
Control



Right
Control



998-0368-00 - VMT-MXL

Installation Guide

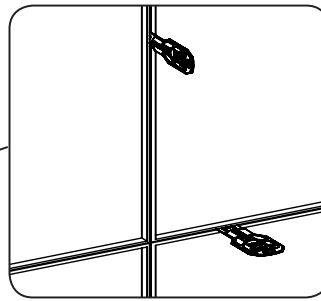
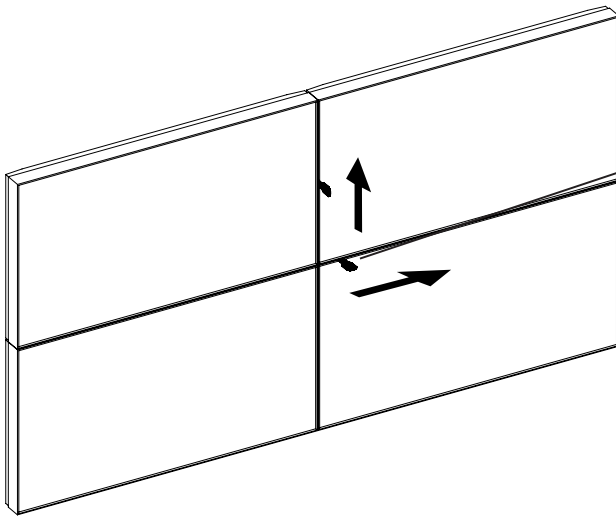
20

Use the **GAPit GO/No Go Gauge (supplied with model specific spacer)** as a final step in the process to inspect and adjust the gap to **prevent costly replacement and extend the lifespan of the displays.**

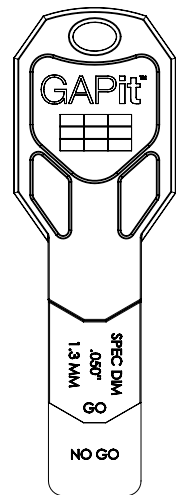


Damage happens when weight is transferred to the ultra-thin bezels of video wall installations, if the recommended gap specifications of .050" is not maintained vertically and horizontally.

This results in image distortion, and costly repairs and replacement



1. Swipe GAPit along vertical gap
2. Inspect for .050" gap & adjust if needed
3. Swipe GAPit along horizontal gap
4. Inspect for .050" gap & adjust if needed



Service

1. Push evenly in the front of the VMT-MXL to release the single latch spring lock (Figure 1).
2. Slowly pull the front of the VMT-MXL to extend the scissor arms (Figure 2).
3. Loosen the locking safety screws on both mounting brackets.
4. Tilt up the bottom of the flat-panel, then set their kickstands against the bottom tubing of the mount (Figures 2 & 3).
5. Perform any necessary repairs. Close the latch after servicing.

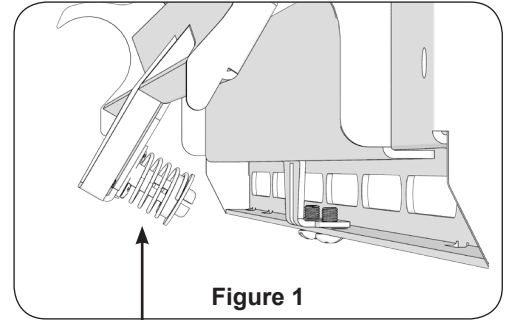


Figure 1
Single Latch Spring Lock

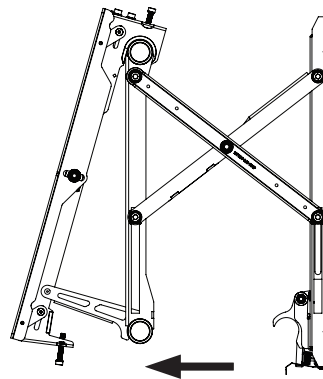
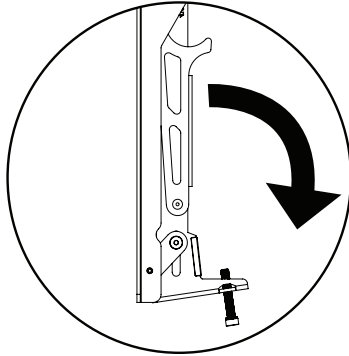


Figure 2

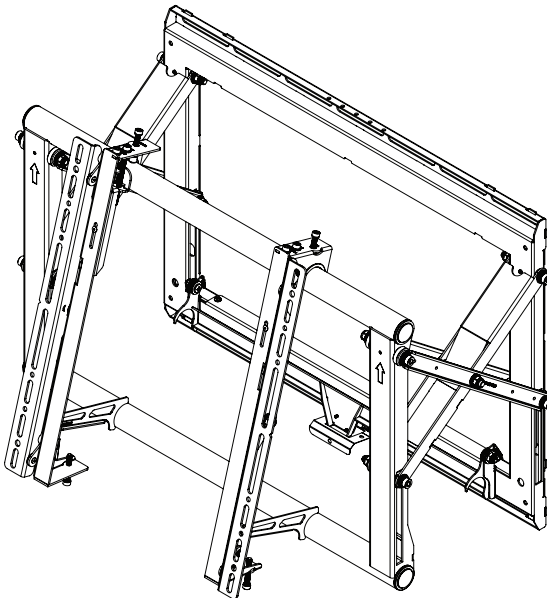


Figure 3