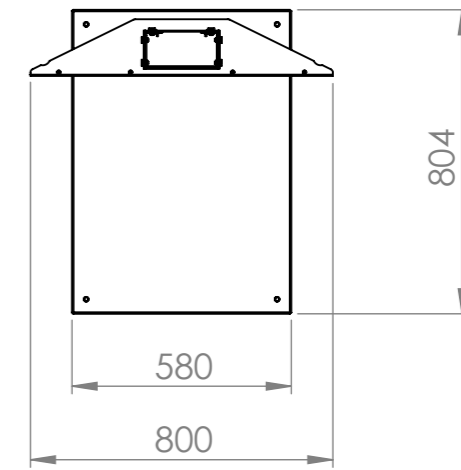
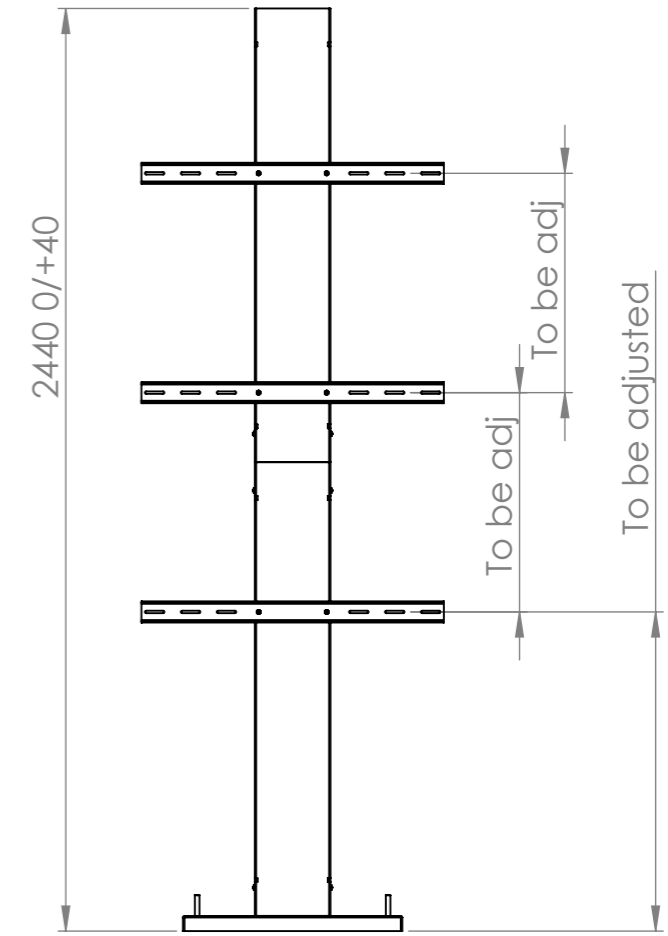
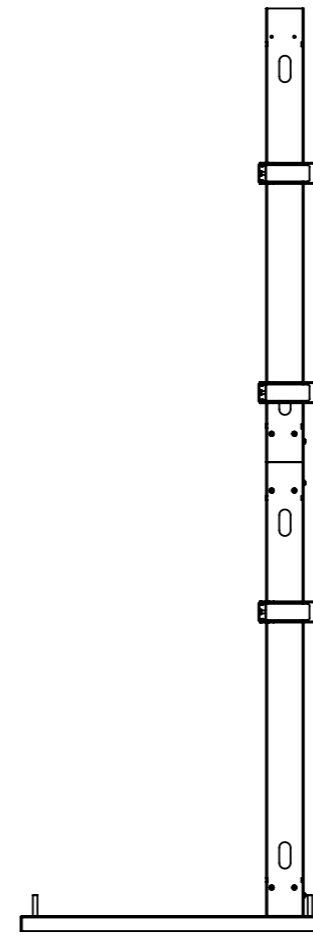
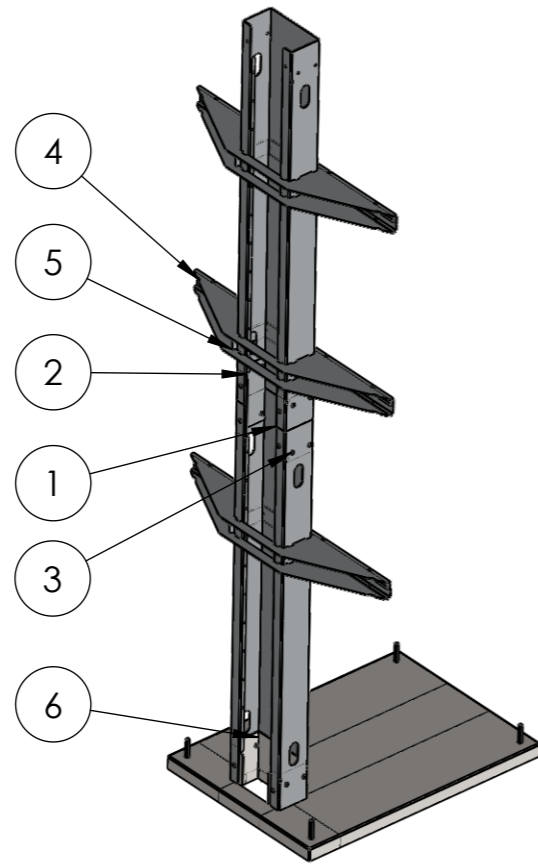
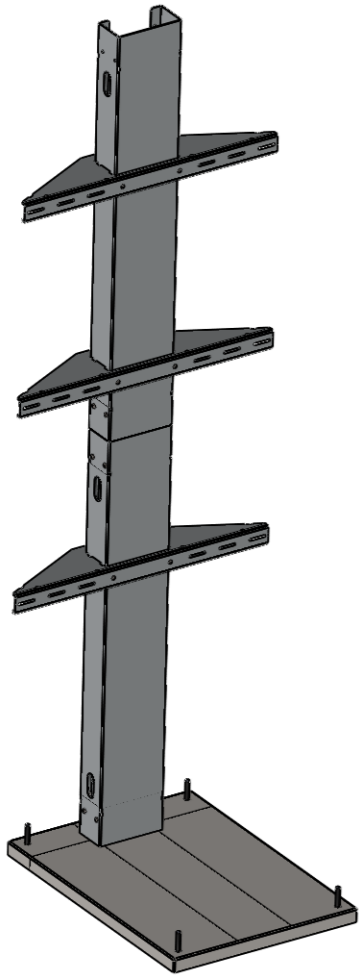


No. ARTICLE	NUMERO DE PIECE	DESCRIPTION	QTE
1	572-4249-00	Sht Mtl, Floor Stand, LEG 1.2m	2
2	572-4250-00	Sht Mtl, Floor Stand, Link	2
3	ISO 7045 - M6 x 12 - Z --- 12N		18
4	437-2285-00	Assy, Flr Std, Aisle Landscape	3
5	572-4251-00	Sht Mtl, Floor Stand, Push Plate	3
6	437-2286-00	Assy, Floor Stand BASE	1



Note 1 : Any matrix configuration taller than 1.8m is to be fixed to a wall. In this goal. Each STAND IS DELIVERED WITH A 955-0415-00 A Mount, Top Fixation, HIGH STAND.

Note 2 : The page hereafter show the packaging and the assembly way.

Note 3 : Any non standard need <2.44m Planar could provide with a specific leg

Note 4 : Will be supply with screwings to attach the matrix onto the aisles :

- q6 : M6 nuts
- q6 : M6 plate washers
- q6 : Screw M6 : ISO 7045 - M6 x 12 - Z --- 12N

ZONE	REV.	DESCRIPTION	DATE	APPROUVE
	B	Adding note 4	18/09/2014	
	A	INITIAL	04/06/2013	
REVISIONS				

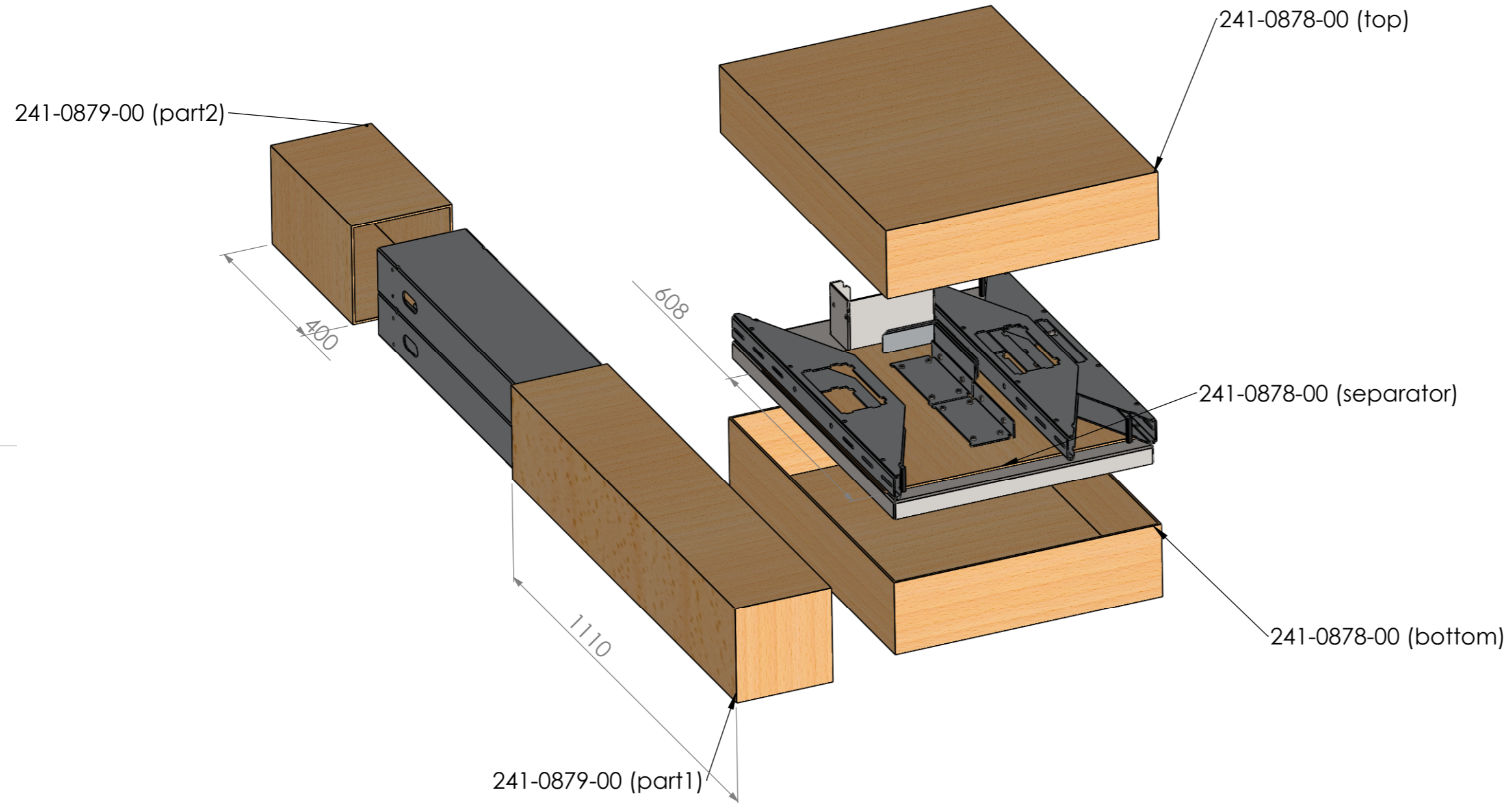
UNLESS OTHERWISE SPECIFIED: DIMENSIONS ARE IN MILLIMETERS SURFACE FINISH: TOLERANCES: ISO2768mk LINEAR: ANGULAR:		FINISH: N/A	DEBUR AND BREAK SHARP EDGES	DO NOT SCALE DRAWING	REVISION
DRAWN: V DELMAS		SIGNATURE	DATE: 01/02/2008	Planar SAS 24, Rue E Galois, F-81000 ALBI	
APPV'D				TITLE: STAND, Adjustable FS, Matrix L	
MFG				FIRST ANGLE PROJECTION	
Q.A		MATERIAL: See BOM		DWG NO. 955-0432-00	
		WEIGHT: 32kg		SCALE:1:20	
				SHEET 1 OF 3 CONFIDENTIEL	

A
B
C
D
E
F

A
B
C
D

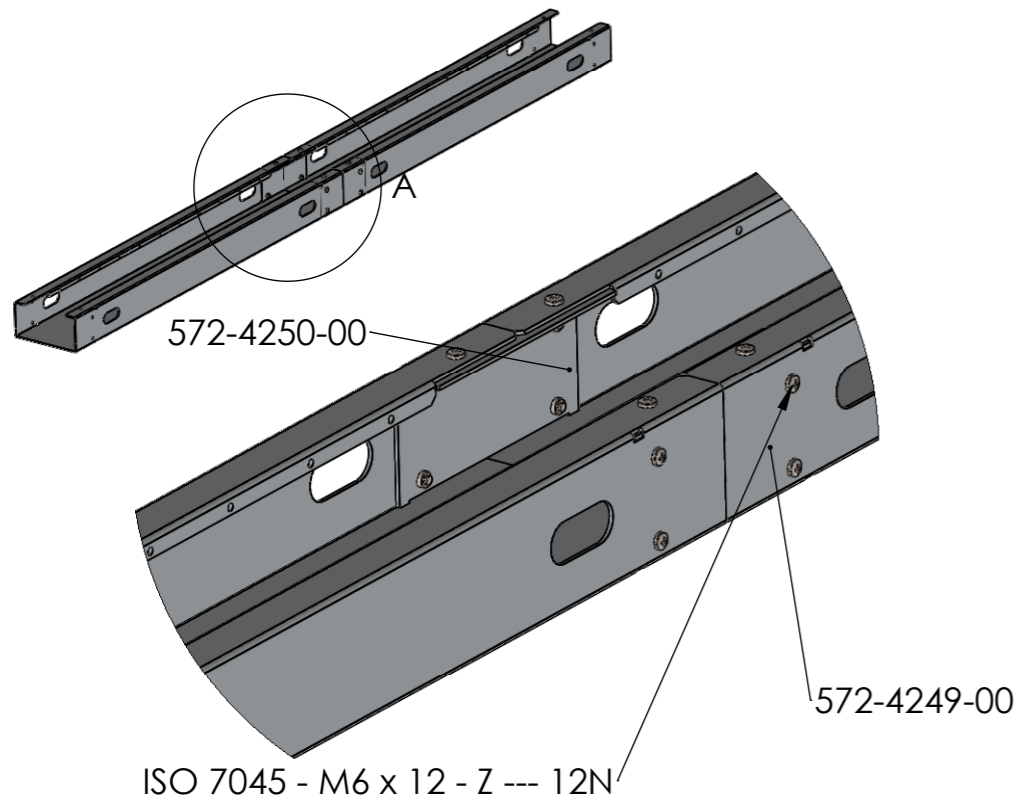
241-0879-00 :
 Internal dimension: H205mm x 205mm x 1210mm
 Poids : 10kg

241-0878-00 :
 Internal dimension: H160mm x 587mm x 810mm
 Poids : 22kg

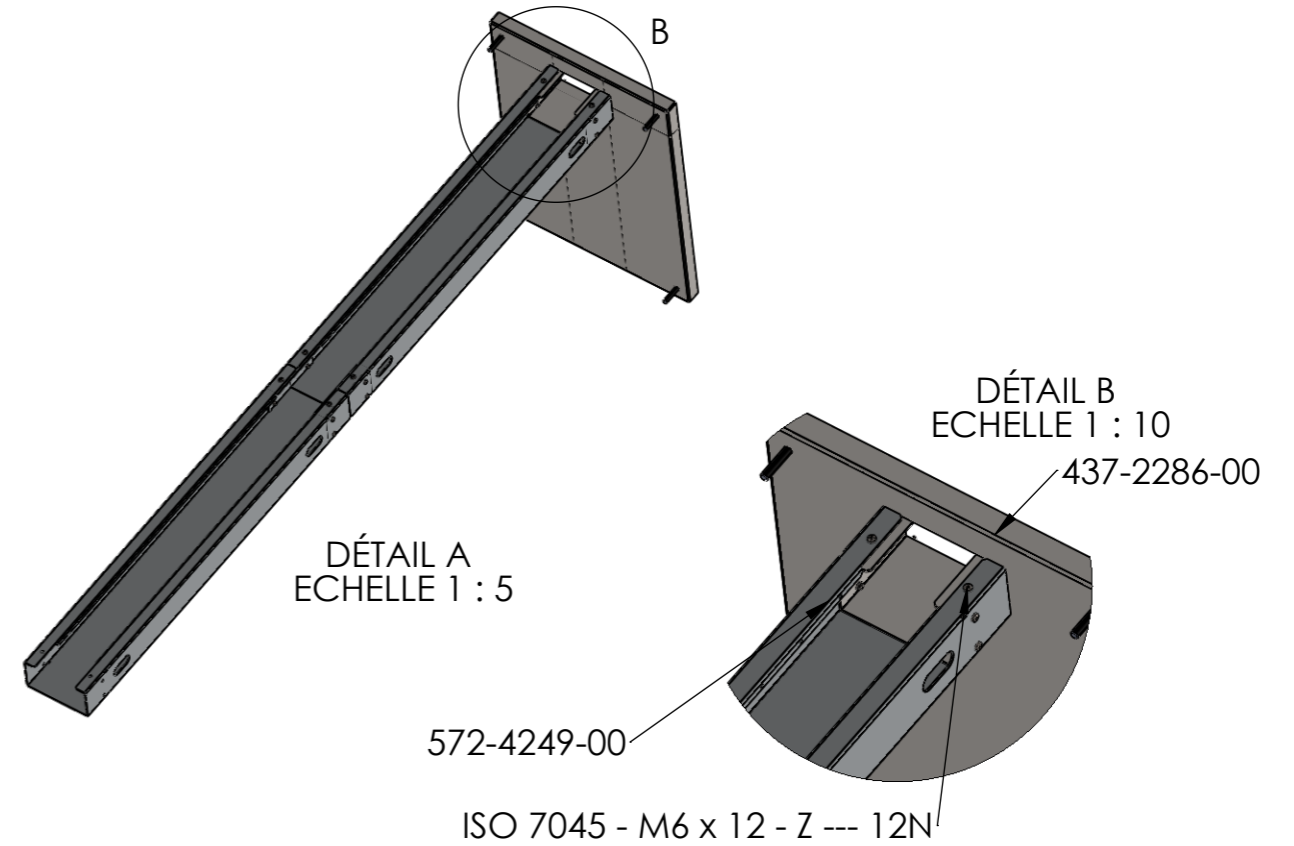


UNLESS OTHERWISE SPECIFIED: DIMENSIONS ARE IN MILLIMETERS				FINISH: --		DEBUR AND BREAK SHARP EDGES		DO NOT SCALE DRAWING		REVISION	
SURFACE FINISH: TOLERANCES: ISO2768mk LINEAR: ANGULAR:										Planar SAS 24, Rue E Galois, F-81000 ALBI	
DRAWN		NAME		SIGNATURE		DATE		TITLE:			
		V DELMAS				01/02/2008					
CHK'D								FIRST ANGLE PROJECTION			
APPV'D											
MFG											
Q.A								MATERIAL:		DWG NO.	
								--		955-0432-00	
								WEIGHT:		SCALE:1:10	
										SHEET 2 OF 3	
										CONFIDENTIEL	
										A3	

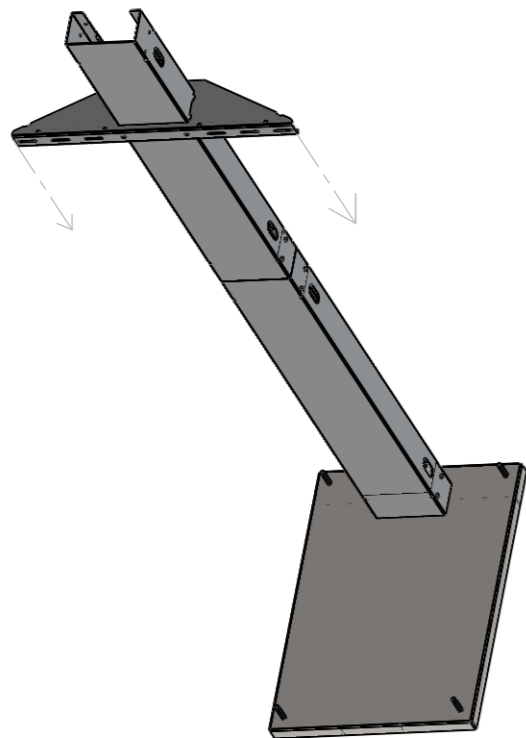
**Step 1 : Assemble the 2 legs.
(using the 2 links and 12 screws).**



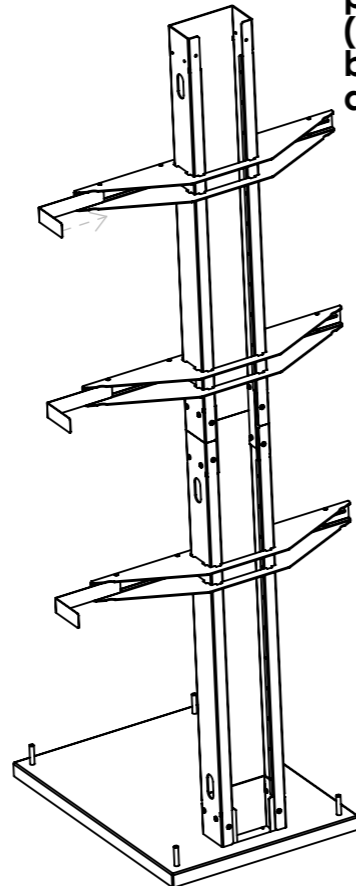
**Step 2 : Assemble the 2 legs onto the base.
(using 6 screws).**



**Step 3 : Install the aisles.
(sliding down from the top of the legs).**



**Step 4 : Install the pushing plates.
(sliding them between aisles and leg).**



Step 4 : Install the matrix support and bracketing.

Step 5 : adjust the aisles height to your need and secure them by tightening them.

Step 6 : install your videowall.

Step 7 : the top of the videowall has to be secure with 955-0415-00 if it's taller than 1.8m.

Note 1 : make sure the screw are tighten correctly after step 1 and 2.

Note 2 : the screw to tighten the aisles have to be tighten only after sliding in the pushing plate.
(Step 3 and 4)

UNLESS OTHERWISE SPECIFIED: DIMENSIONS ARE IN MILLIMETERS SURFACE FINISH: TOLERANCES: ISO2768mk LINEAR: ANGULAR:		FINISH: --	DEBUR AND BREAK SHARP EDGES	DO NOT SCALE DRAWING	REVISION
DRAWN: V DELMAS		SIGNATURE	DATE: 01/02/2008	PLANAR Planar SAS 24, Rue E Galois, F-81000 ALBI	
CHK'D				TITLE: STAND, Adjustable FS, Matrix L	
APPV'D				FIRST ANGLE PROJECTION	
MFG				DWG NO. 955-0432-00	
Q.A			MATERIAL: --	A3	
			WEIGHT:	SCALE:1:20	SHEET 3 OF 3 CONFIDENTIEL